



2024 Michigan Open Sunfish Championship

August 10-11, 2024

Gull Lake

Richland, Michigan



Come sail and race Sunfish sailboats on beautiful Gull Lake while meeting people from all over the Midwest and having great fun!

Saturday party featuring Booze Dragons Band!

Info:

www.gullakesailingclub.org

Email for information: gullakesunfish@gmail.com





2024 Sunfish Michigan Open Championship

August 10-11, 2024

Gull Lake Sailing Club

Gull Lake Sunfish Fleet

Hickory Corners/Richland, Michigan



NOTICE OF RACE

1 RULES

1.1 The regatta will be governed by the rules as defined in *The Racing Rules of Sailing with US Sailing prescriptions*.

1.2 All participants shall meet Michigan DNR Safety Rules.

See <https://assets.kalkomey.com/boater/pdfs/handbook/michigan-handbook-entire.pdf>.

1.3 All participants shall meet Michigan State University/Kellogg Biological Station requirements as defined in Waiver attached.

1.4 All participants shall comply with current health and safety laws as prescribed by the State of Michigan Department of Health and Human Services.

2 ELIGIBILITY AND ENTRY

2.1 The regatta is open to all boats of the Sunfish Class.

2.2 Cash and checks payable to Gull Lake Sailing Club and mailed to Gail Turluck, 1245 West Gull Lake Drive, Richland, Michigan 49083, with Entry Form and required signed Michigan State University Waiver on Addendum 1, postmarked by July 27, 2024.

2.3 Entrants must email gulllakesunfish@gmail.com by Monday, July 31, 2024 at 5:00 pm EDT that their entry, waiver and payment are in the mail and provide t-shirt size.

2.3 Late entries cannot be accepted.

3 MEASUREMENT

Boats and equipment must be compliant with current International Sunfish Class Association Class Rules as approved by World Sailing: <https://www.sunfishclass.org/rulesandmeasurement> and in force temporary provision by the US Sunfish Class Association for limited aftermarket parts (Due to parts shortage, third party parts allowed at Regional World Qualifying Events until December 31, 2024. Exceptions are made at the discretion of the Measurer or their delegate. No exceptions shall be made for hulls, which must be Class legal. To be eligible for event awards or World Championship qualification, all parts must be Class legal). Boats may be selected for re-measurement at any time during the regatta by the USSCA Chief Measurer or an appointed representative.

4 FEES

4.1 Required fees include awards, memento, racing, boat storage, Saturday party with refreshments, and are as follows:
The entry fee is \$75. Youth entry fee is \$25.

5 SCHEDULE

Event	Day	Time	Notes
Registration	Friday	1700-1830 hrs	Turluck Residence
Registration	Saturday	0930-1030 hrs	Michigan State University/Kellogg Biological Station
Competitor Meeting	Saturday	1100 hrs	Michigan State University/Kellogg Biological Station
Race #1 Warning	Saturday	1200 hrs	Up to 3 races to follow
Refreshments (Dutch Treat)	Saturday	1700 hrs	NEDS on Gull Lake
Dinner (Dutch Treat)	Saturday	1800 hrs	NEDS on Gull Lake
Party w/Booze Dragons Band	Saturday	1930 hrs	Turluck Residence
Day Two	Sunday		Michigan State University/Kellogg Biological Station
First Warning	Sunday	1000 hrs	Remaining races to follow
Awards	Sunday	As soon as possible after racing concludes	

No race will start after 1300 hrs on Sunday

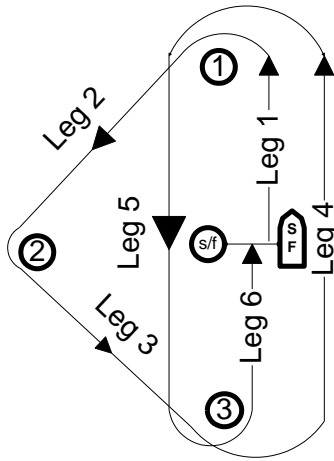
Contact Gail Turluck at gulllakesunfish@gmail.com by Wednesday, July 31, 2024 at 5:00 pm EDT to state your entry and waiver is in the mail, with your t-shirt size, and that you plan to race. Our permit requires we notify the facility of participants.

6 SAILING INSTRUCTIONS

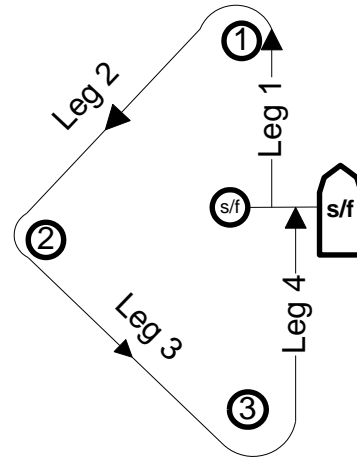
The sailing instructions will be available at Registration.

- 7 VENUE**
7.1 We will launch from Michigan State University/Kellogg Biological Station, 3700 E Gull Lake Dr, Hickory Corners, MI 49060. Access available Saturday and Sunday ONLY. Competitors shall email gulllakesunfish@gmail.com by Wednesday, July 31, 2024 at 5:00 pm EDT to state your entry and waiver is in the mail, with your t-shirt size.
7.2 Racing will be held on Gull Lake in Kalamazoo and Barry County, Michigan.
- 8 COURSES**
The diagrams in Attachment A show the courses, including the approximate angles between legs, the order in which marks are to be passed, and the side on which each mark is to be left.
- 9 PENALTY SYSTEM**
9.1 US Sailing Prescription Appendix V1 shall apply.
- 10 SCORING**
10.1 The scoring system is as follows: Low Point Scoring System per Appendix A4.
10.2 One race is required to be completed to constitute a series.
- 11 RADIO COMMUNICATION**
Except in an emergency, a boat shall neither make radio transmissions while racing nor receive radio communications not available to all boats. This restriction also applies to mobile telephones.
- 12 PRIZES**
Prizes will be given as follows: Top five overall finishers. Top Youth finisher (Youth shall not turn age 19 in 2024).
- 13 DISCLAIMER OF LIABILITY**
Competitors participate in the regatta entirely at their own risk. See rule 3, Decision to Race. The organizing authority will not accept any liability for material damage or personal injury or death sustained in conjunction with or prior to, during, or after the regatta.
- 14 WATER**
In support of minimizing plastic waste we will not have single use water bottles available. Sailors will need to carry their own water supplies. We will not have a support boat to aid that process.
- 15 FURTHER INFORMATION**
For further information please contact:
Gail M. Turluck, 1245 West Gull Lake Drive, Richland, MI 49083, 269.998.6353, gulllakesunfish@gmail.com

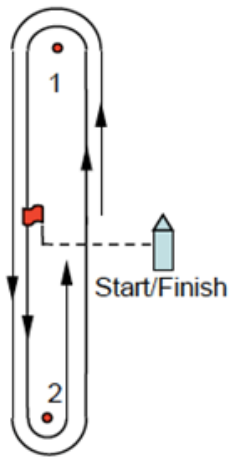
APPENDIX A



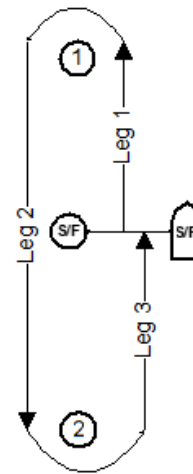
Course #1
Gold Cup



Course #2
Triangle



Course #3
Windward-Leeward
Twice Around



Course #4
Windward-Leeward
Once Around

Course #1: S - 1 - 2 - 3 - 1 - 3 - F

Course #2: S - 1 - 2 - 3 - F

Course #3: S - 1 - 2 - 1 - 2 - F

Course #4: S - 1 - 2 - F

2024 Sunfish Michigan Open Championship
Gull Lake Sailing Club | Gull Lake Sunfish Fleet
August 10-11, 2024 - Gull Lake – Hickory Corners/Richland, MI

Race Officials

The Principal Race Officer and Staff will be announced at the Skipper's Meeting.
The Technical Committee will be Gail Turluck.

Lodging and Camping Information

- Limited in-home housing available. Requests for in-home housing will be accommodated as much as possible. We're looking forward to having you as our guests! Email Gail M. Turluck, gulllakesunfish@gmail.com well in advance, please.
- Nearest hotel/motels are at I-94 and Sprinkle Road, about a 25 minute drive (in no particular order), (*IMPORTANT--make arrangements early; greater Kalamazoo has a very active tourist season*):
Baymont Inn & Suites Kalamazoo East, 3800 East Cork Street · Kalamazoo, 269.344.8300
Candlewood Suites Kalamazoo, 3443 Retail Pl Dr. · Kalamazoo, 269.270.3203
Comfort Inn, 1550 E. Kilgore Rd. · Kalamazoo, 269.344.7774
Country Inn and Suites, 1912 E. Kilgore Rd. · Portage, 269.382.2303
Four Points by Sheraton, 3600 E. Cork St. · Kalamazoo, 269.385.3922
Holiday Inn Express, 3630 E. Cork St. · Kalamazoo, 269.373.0770
- Camping:
Fort Custer Recreation Area, 5163 Fort Custer Drive, Augusta MI, 49012. 269.731.4200. Reservations strongly recommended.

Local Information

Nearby Stores

Harding's Market - 8900 Gull Road, Richland, MI 49083 (269) 629-4610
Meijer - 5800 Gull Road, Kalamazoo, MI 49001 (269) 382-6250
Level Park Hardware - 3144 W Michigan Ave, Battle Creek, MI 49037 (269) 968-1655
WalMart - 6065 Gull Road, Kalamazoo Township, MI 49048 (269) 373-0268
Menard's - 5300 Gull Rd, Kalamazoo, MI 49048 (269) 343-2269

Suggested Restaurants

NEDS on Gull Lake - 15450 S M-43 Hwy, Hickory Corners, MI 49060 (269) 671-5700
compass + cleaver – 12454 East D Ave, Richland, MI 49083 (269) 457-0011 (reservations recommended)
Blue Stem - 15579 E Augusta Dr, Augusta, MI 49012 (269) 220-3977
Richland Pub - 8253 North 32nd Street, Richland, MI 49083 (269) 629-4511
Pure Mex - 8880 N 32nd St, Richland, MI 49083 (269) 203-7270
Chicken House Takeout – 12443 East D Ave, Richland, MI 49083 (269) 629-0306
Tavern 32 – 8896 N 32nd St, Richland, MI 49083 (269) 557-8008

Activities

Airway Fun Center - 5626 Portage Rd, Portage, MI 49002 (269) 327-7061
Air Zoo - 6151 Portage Road, Portage, MI 49002 (269) 382-6555
Binder Park Zoo - 7400 Division Drive, Battle Creek, MI 49085 (269) 979-1351
Celery Flats Historical Area - 7335 Garden Lane, Portage, MI 49002 (269) 329-4522
Critchlow's Alligator Sanctuary - 1698 M-66, Athens, MI 49011 (269) 729-4802
Fort Custer National Cemetery - 15501 Dickman Road, Battle Creek, MI 49012 (269) 731-4164
Full Blast Recreation Center - 35 Hamblin Avenue, Battle Creek, MI 49017 (269) 966-3667
Gilmore Car Museum - 6865 Hickory Road, Hickory Corners, MI 49060 (269) 671-5089
Glass Art Kalamazoo, 326 W. Kalamazoo Ave, Kalamazoo, MI 49007 (269) 552-9802
Kalamazoo Institute of Arts - 314 S. Park Street, Kalamazoo, MI 49007 (269) 349-7775
Kalamazoo Nature Center, 7000 N. Westnedge Avenue, Kalamazoo, MI 49009 (269) 381-1574
Kalamazoo Valley Museum, 230 N. Rose Street, Kalamazoo, MI 49007 (269) 373-7990
Kellogg Bird Sanctuary, 3700 East Gull Lake Drive, Hickory Corners, MI 49060 (269) 671-5117
Leila Arboretum, 928 West Michigan Avenue, Battle Creek, MI 49085 (269) 969-0270
W.K. Kellogg Bird Sanctuary, 12685 East C Avenue, Battle Creek, MI 49012 (269) 671-2510
W.K. Kellogg Dairy Center, 10461 N. 40th Street, Hickory Corners, MI 49060 (269) 671-2356
W.K. Kellogg Experimental Forest, 7060 N. 42nd Street, Augusta, MI 49012 (269) 731-4597
W.K. Kellogg Manor House, 3700 Gull Lake Drive, Hickory Corners, MI 49060 (269) 671-2416
Wolf Lake State Fish Hatchery, 34270 County Road 652, Mattawan, MI 49071 (269) 668-2876

ENTRY FORM
2024 SUNFISH MICHIGAN OPEN CHAMPIONSHIP

Gull Lake Sailing Club
Gull Lake Sunfish Fleet

August 10-11, 2024 - Gull Lake – Richland/Hickory Corners, MI

Please print this form, complete it, and mail with a check **plus the waiver on next page**
(Checks should be made out to **Gull Lake Sailing Club**) to:

Mailing Deadline:
Postmark by July 27, 2024

Gail M. Turluck, 1245 West Gull Lake Drive, Richland, Michigan 49083

Competitor's Name _____

Address _____

City _____ State _____ Zip _____

Phone (_____) _____

E-mail _____

Yacht Club Affiliation _____

Boat Name _____

Sail Number _____

Regatta Fee includes: memento, racing, boat storage, Saturday party with refreshments, awards.

Registration Fee - \$75 postmarked by July 27, 2024
Youth (not 19 in 2024) \$25. \$ _____

Check Shirt Size - (Must email t-shirt size by July 31, 2024)
Unisex: S M L XL 2XL

Extra Shirts \$22 each \$ _____
(indicate how many and what size(s), please) _____

TOTAL \$ _____

I agree to be bound by The Racing Rules of Sailing and by all other rules that govern this event.

A RELEASE OF LIABILITY SIGNATURE IS REQUIRED FOR EACH PARTICIPANT

The undersigned, fully recognizing and acknowledging the inherent risk in sailing activities hereby releases the Gull Lake Sailing Club, its officers and agents, any municipalities, any park officers or their agents, from any and all liabilities arising out of, or as a result of, any accident or injury while participating in activities that are sanctioned, promoted or sponsored by the Gull Lake Sailing Club whether deemed through negligence or not on the part of any of the aforementioned persons or entities.

Applicant Signature _____ Date _____

THE FOLLOWING MUST BE COMPLETED IF AN APPLICANT IS A MINOR:

The undersigned Parent or Guardian, fully recognizing and acknowledging the inherent risk in sailing activities, hereby releases the Gull Lake Sailing Club, its officers and agents, any municipalities, any park officers or their agents, from any and all liabilities arising out of, or as a result of, any accident or injury while participating in activities that are sanctioned, promoted, or sponsored by the Gull Lake Sailing Club whether deemed through negligence or not on the part of any of the aforementioned persons or entities.

Parent or Guardian Signature _____ Date _____

Any questions, contact:

Gail M. Turluck, 1245 West Gull Lake Drive, Richland, MI 49083, 269.998.6353, gulllakesunfish@gmail.com

KELLOGG BIOLOGICAL STATION WATERCRAFT LAUNCHING NON-MSU OWNED BOATS ASSUMPTION OF RISK, WAIVER AND RELEASE OF LIABILITY AGREEMENT

In consideration of the use of watercrafts at the Kellogg Biological Station (KBS), you agree as follows:

1. RISK FACTORS. You understand and acknowledge that the use of your launching non-MSU owned boats involves risk including, but not limited to the following:

- Risk of property damage
• Risk of bodily injury, including, but not limited to: Permanent disability; Paralysis; and Death.

These risks may result from the use of the equipment or facilities, from the activity itself, from the acts of others, or from the unavailability of emergency medical care.

2. ASSUMPTION OF THE RISK. You are using watercrafts and launching non-MSU owned boats at your own risk. You acknowledge and agree that you are voluntarily assuming all the risks that may arise out of or result from the use of the watercrafts and launching non-MSU owned boats or facilities including those risks described in Section 1 above.

POLICIES AND PROCEDURES. You agree to comply with and abide by all rules and regulations of KBS. The KBS staff reserves the right to revoke or terminate your privileges for any violations of the rules and regulations of KBS. You acknowledge and agree to the following rules:

- Personal Flotation Device use is mandatory for all watercrafts and you will wear a personal flotation device while in a watercraft.
• You agree that you will not take alcoholic beverages on watercrafts or operate while intoxicated.
• An adult must accompany children under 13.
• Gull Lake Sailing Club must keep track of weather conditions. High winds and lake swells can capsize canoes. You agree that if hazardous weather conditions arise, KBS will not be responsible for assuring your safety. You will be responsible for your safety during hazardous weather conditions.
• You agree not to exceed the weight or number of people listed on the watercraft capacity plates. You will distribute weight of equipment and passengers evenly.

3. WAIVER AND RELEASE. To the fullest extent permitted by law, you hereby release, waive, and discharge Michigan State University, its board of trustees, officers, employees, agents, students, or volunteers from any and all claims, actions, causes of action, suits, liability, losses, demands, damages, expenses, fees, and costs for any property damage, property loss or theft, personal injury, death or other loss arising from or relating to your use of KBS's property, facilities, and/or services, or your participation in an activity or program provided by KBS.

4. INDEMNIFICATION. To the fullest extent permitted by law, you agree to indemnify and hold harmless Michigan State University, its board of trustees, officers, employees, agents, students, or volunteers from claims, actions, causes of action, suits, liability, losses, demands, damages, expenses, fees, and costs (including attorney fees) arising from or relating to your use of the KBS's property, facilities, and/or services, or your participation in an activity or program provided by KBS.

5. CONSENT FOR EMERGENCY TREATMENT. You, as a participant in activities described in paragraph 1, hereby consent to medical treatment in a medical emergency where you may otherwise be unable to consent to such treatment.

6. REPRESENTATIVES. You enter into this agreement for yourself, your heirs, assigns, and legal representatives. If you are signing this agreement on behalf of a minor, you acknowledge and agree that you are the participant's parent or legal guardian, and you agree, on your behalf and the behalf of the minor to the terms of this agreement.

7. MISCELLANEOUS. This agreement shall be governed in all respects by the laws of the state of Michigan. The Michigan Court of Claims or Federal District Court for the Western District of Michigan will hear any action arising out of this agreement, and you consent to jurisdiction in the State of Michigan. You expressly agree that the foregoing agreement is intended to be as broad and inclusive as permitted by Michigan law and that if any portion thereof is held to be invalid, the remainder of the agreement shall continue in full legal force and effect.

You acknowledge that you have read the foregoing and that you are aware of the legal consequences of this agreement, including that it releases Michigan State University and KBS from claims you may have if you are injured or your property is damaged as a result of participating in programs or activities provided by KBS.

Print Name:

Signature:

Date: